



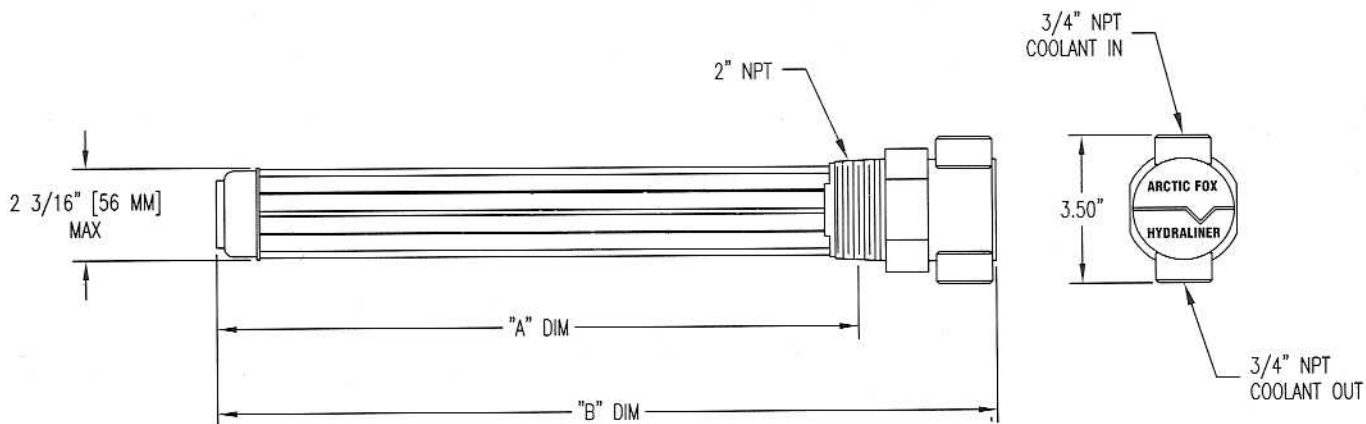
HYDRA LINER 4000 SERIES HEAT EXCHANGER

FLUID WARMING APPLICATIONS • HYDRAULIC • WATER • OTHER FLUIDS

- ALL STAINLESS STEEL CONSTRUCTION
- LARGE AMOUNT OF SURFACE AREA EXPOSED TO FLUID FOR EXCELLENT HEAT RISE
- THREADS INTO 2" NPT FEMALE PIPE THREAD (See back for weld-on couplings)
- EXCELLENT FLOW CAPACITY - 3/4 INCH NPT CONNECTIONS
- 5 YEAR 600,000 MILE WARRANTY
- INSTALL MULTIPLE UNITS FOR LARGER TANKS OR FASTER HEAT RISE.

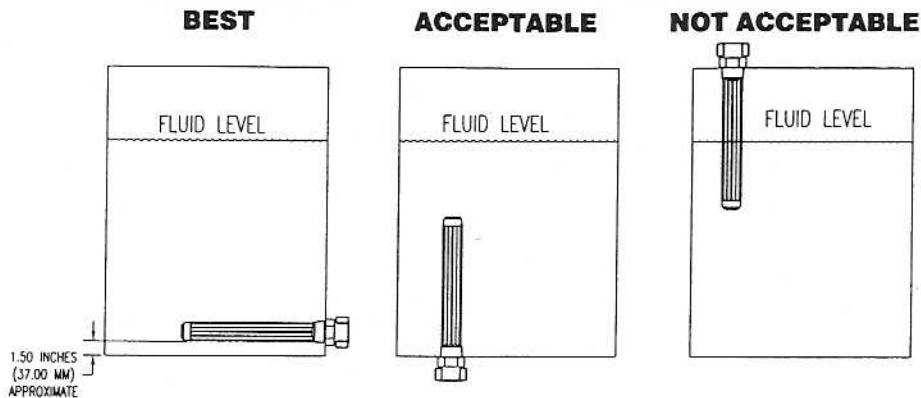
PART #	"A" DIMENSION NOMINAL	"B" DIMENSION NOMINAL	SURFACE AREA NOMINAL	RECOMMENDED APPLICATION
H-4000-8	7 INCHES (178MM)	10 INCHES (254MM)	105 SQ INCHES (8 dm ²)	UP TO 20 US GALLONS (76 LITERS)
H-4000-12	11 INCHES (280MM)	14 INCHES (356MM)	180 SQ INCHES (12 dm ²)	UP TO 35 US GALLONS (133 LITERS)
H-4000-16	15 INCHES (381MM)	18 INCHES (457MM)	250 SQ INCHES (16 dm ²)	UP TO 50 US GALLONS (190 LITERS)
H-4000-20	19 INCHES (483MM)	22 INCHES (559MM)	315 SQ INCHES (20 dm ²)	UP TO 63 US GALLONS (239 LITERS)
H-4000-24	23 INCHES (584MM)	26 INCHES (660MM)	385 SQ INCHES (24 dm ²)	UP TO 77 US GALLONS (292 LITERS)

When used per recommended application, the Hydra Liner will provide up to 20°F (11°C) temperature rise in hydraulic oil in one hour in ambient temperatures down to -20°F (-29°C). Actual temperature rise will be affected by factors such as coolant temperature and flow rate, specific heat capacity of fluids and air movement around reservoir.



B-600 11/01

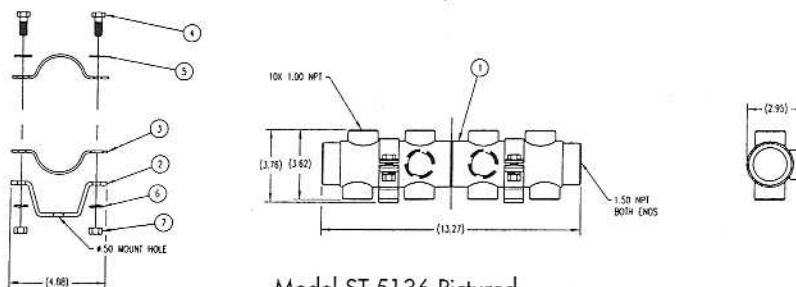
H-4000 SERIES HYDRA LINER RESERVOIR MOUNTING CRITERIA



- SEE ARCTIC FOX PUBLICATION B-575 FOR RESERVOIR REINFORCEMENT WHEN PLANNING THE HYDRA LINER INSTALLATION.
- SEE ARCTIC FOX PUBLICATION B-589 FOR SPECIFICATION AND APPLICATION CRITERIA.

WELD ON TANK ADAPTERS

PART NUMBER	DESCRIPTION	APPLICATION
A-3228HD	Schedule 80 2" NPT Female Pipe Thread Steel Coupling.	Preferred for use on most Hydra Liner 4000 mounts in steel tanks.
A-3228AHD	Schedule 80 2" NPT Female Pipe Thread T-6061 Aluminum Coupling.	Preferred for use on most Hydra Liner 4000 mounts in aluminum tanks.



Model ST-5136 Pictured

COOLANT MANIFOLDS

PART NUMBER	DESCRIPTION	APPLICATION
ST-2580	Single Manifold with Mounting Hardware	Typically used in place of multiple tees. (One 1 1/2" NPT port. Two 1" NPT ports and Three 1/2" NPT ports).
ST-1596	Dual Manifold with Mounting Hardware	Typically used on system with up to 50 thousand BTU Coolant Fluid Preheater. (1" NPT inlet. One 1" NPT outlet and Three 1/2" NPT outlets on one end. 1" NPT outlet. One 1" NPT inlet and Three 1/2" NPT inlets on other end.
ST-2520	Dual Manifold with Mounting Hardware	Typically used on system with 80-100 thousand BTU coolant fluid preheater (1 1/2" NPT Inlet. One 1" NPT outlet, and Four 1/2" NPT outlets on one end. 1 1/2" NPT outlet. One 1" NPT Inlet and Four 1/2" NPT inlets on other end.
ST-5136	Dual Manifold with Mounting Hardware	Typically used on system with 80-100 thousand BTU coolant fluid preheater. 1 1/2" NPT inlet and Five 1" NPT outlets on one end. 1 1/2" NPT outlet and Five 1" inlets on other end.